



**AUGUST LOTZ**  
CRAFTING INNOVATION  
*Since 1897*

# Assembly Instructions

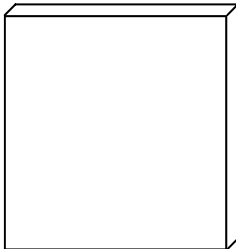
Metropolitan Collection  
Tables  
(model 4200 tables)

Tel: (800) 826-7626  
Fax: (715) 597-6625  
www.augustlotz.com  
alotz@augustlotz.com

51149 Whitetail Rd.  
Osseo, WI 54758

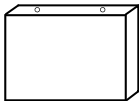
## Table Parts

(1) Top

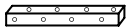


Legs

(2) for End Table, (4) for Coffee



(4) Support Blocks



Screws

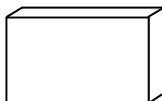
(28) for End Table, (24) for Coffee



(8) Wood Dowels



(1) Shelf  
End Table Only

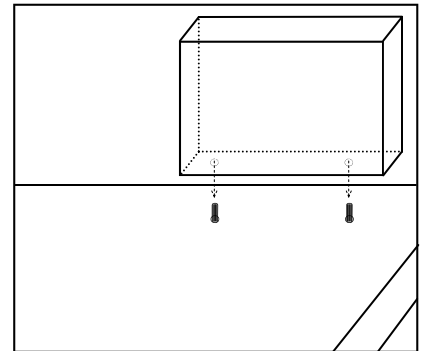


**TOOLS NEEDED:**  
Phillips Screwdriver,  
Small Hammer or Mallet

## Coffee Table Instructions

- 1) Lay tabletop face down (with dowel and pilot holes facing upward) on a soft blanket.
- 2) Place a dowel in each dowel hole on the table top. Attach legs using dowels (See figure A).
- 3) Place a support block along the inside edge of each leg (where the leg meets the tabletop). Fasten the support blocks using the screws provided (See figure B). Do not use a drill gun as they are bulky and may scuff the furniture's finish.

**Figure A**



## End Table Instructions

- 1) Lay tabletop and table legs face down (with dowel and pilot holes facing upward) on a soft blanket.
- 2) Place a dowel in each dowel hole.
- 3) Attach the shelf to the legs using the dowels on the legs (See figure A). Secure by screwing a support block on the bottom edge of the shelf, where the edge meets the leg (See figure B).
- 4) Attach the tabletop to the legs by lining up the dowels in the tabletop with the dowel holes on top of the legs (See figure A). Secure by screwing a support block into the top edge of each leg and into the tabletop (See figure B).

**Figure B**

