



AUGUST LOTZ  
CRAFTING INNOVATION  
*Since 1897*

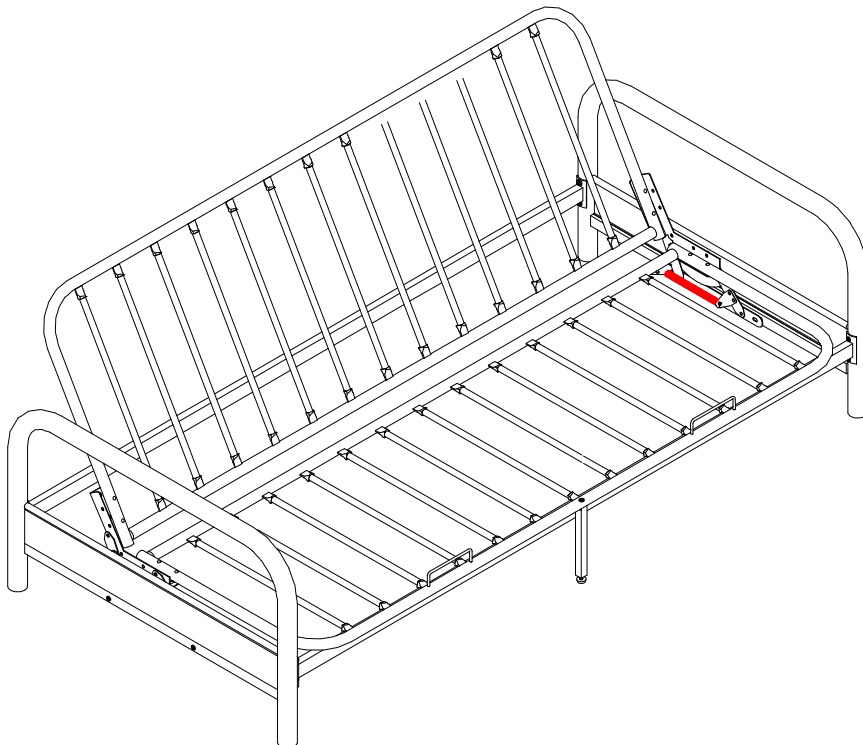
# INTOWNER

## FULL FRAME / ARMS

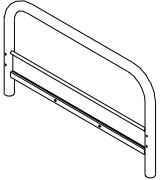
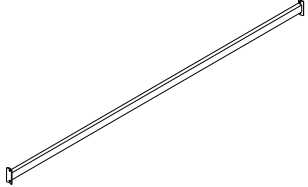
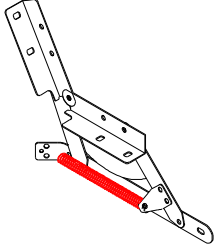
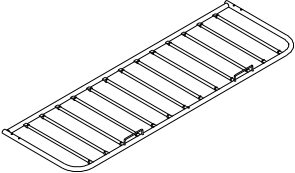
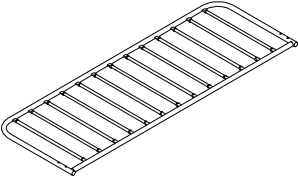
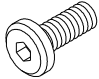
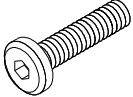

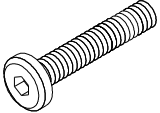




MADE IN CHINA

# 50033

## ASSEMBLY INSTRUCTIONS

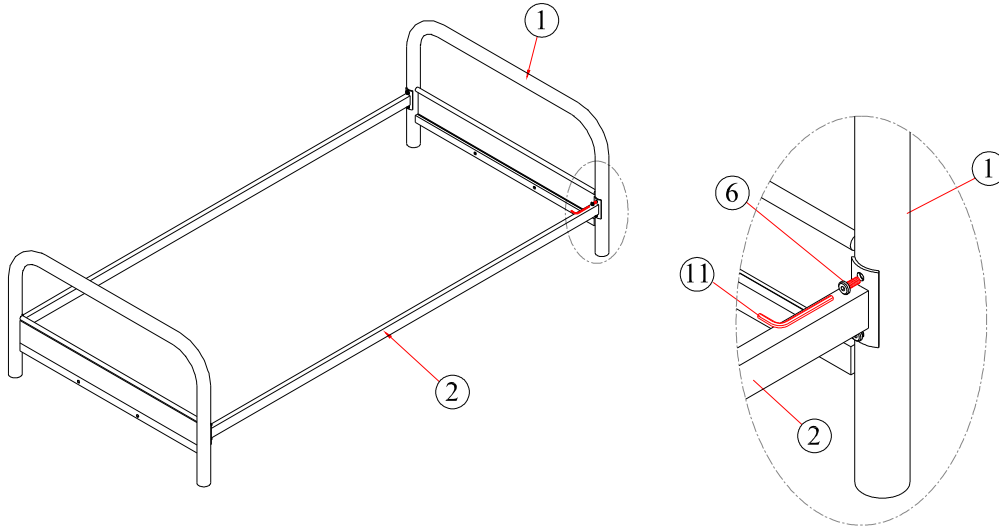


# PARTS

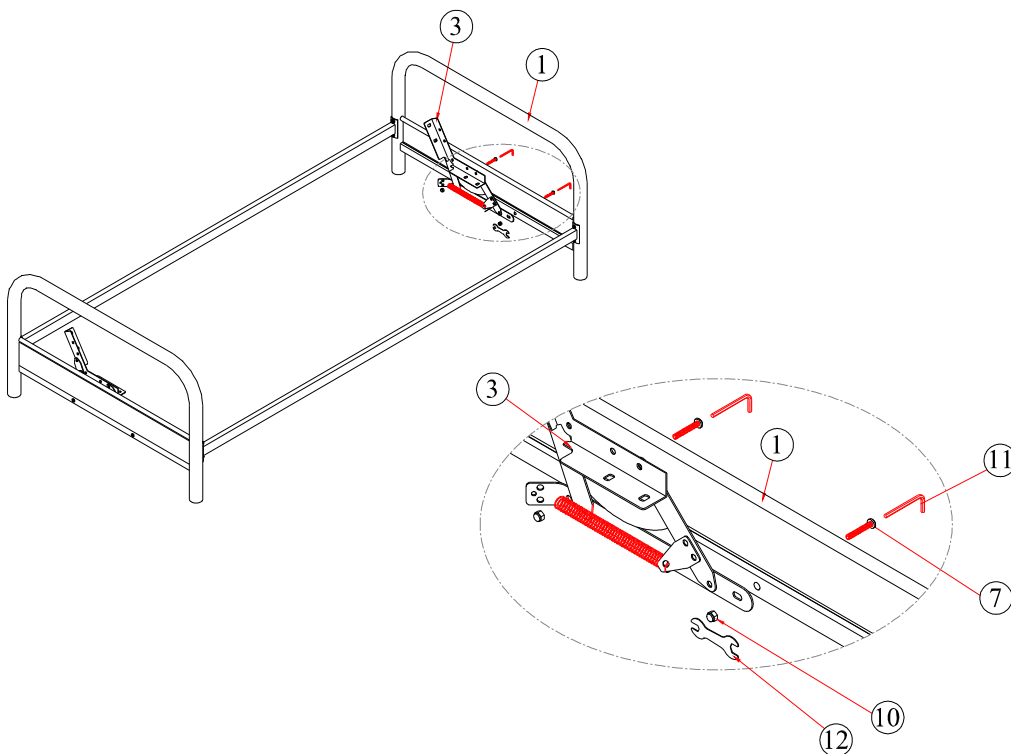
<p>#1</p>  <div style="border: 1px solid black; padding: 2px; display: inline-block;">ARM</div> <p>2PCS</p>	<p>#2</p>  <p>2PCS</p>	<p>#3</p>  <p>2PCS(L/R)</p>
<p>#4</p>  <p>1PC</p>	<p>#5</p>  <p>1PC</p>	<p>#6</p>  <p>1/4"* 16mm 8PCS</p>
<p>#7</p>  <p>1/4"* 25mm 12PCS</p>	<p>#8</p>  <p>8PCS</p>	<p>#9</p>  <p>1/4"* 40mm 1PC</p>
<p>#10</p>  <p>4PCS</p>	<p>#11</p>  <p>2PCS</p>	<p>#12</p>  <p>1PC</p>
<p>#13</p>  <p>1PC</p>		

**DO NOT TIGHTEN SCREWS OR BOLTS UNTIL COMPLETELY ASSEMBLED!!**

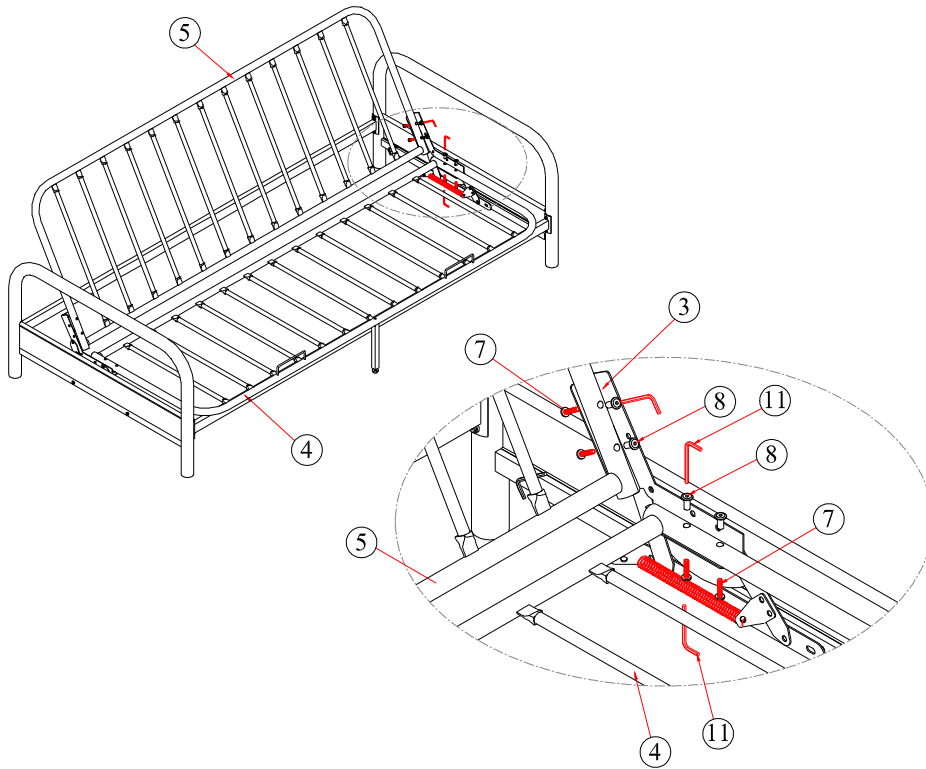
**Step 1** Attach the 2 Cross Bars (#2) by inserting Bolt (#6) into the Arms (#1). Do not tighten until eight bolts have been inserted. Secure tightly using Hex Key (#11).



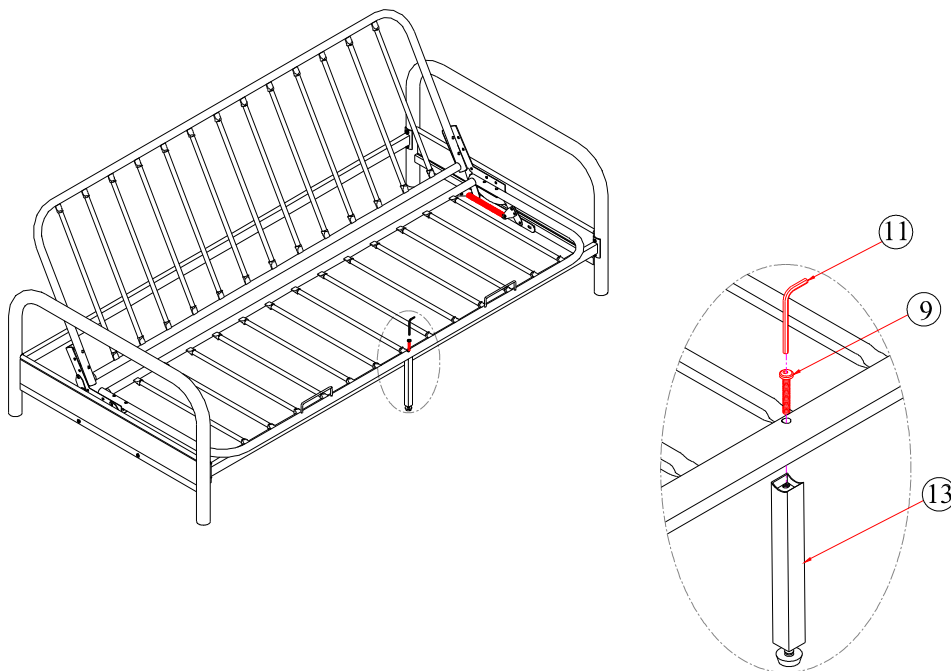
**Step 2** Attach the Left Hinge (#3) to the Left Arm with Nut (#10) and Bolt (#7). Secure tightly using Hex Key (#11) and Wrench (#12). Repeat for the Right Arm.



**Step 3** Attach the Seat Frame (#4) to the front PORTION of the hinge with JCN Nut (#8) and Bolt (#7). Secure tightly using 2 pieces of Hex Key (#11). Repeat to assembly the Back Frame (#5) to the back PORTION of the hinge.



**Step 4** Attach the Center Leg (#13) to the seat frame with Bolt (#9). Secure tightly using Hex Key (#11).



**Congratulation You are done! Relax and enjoy your new futon.**

